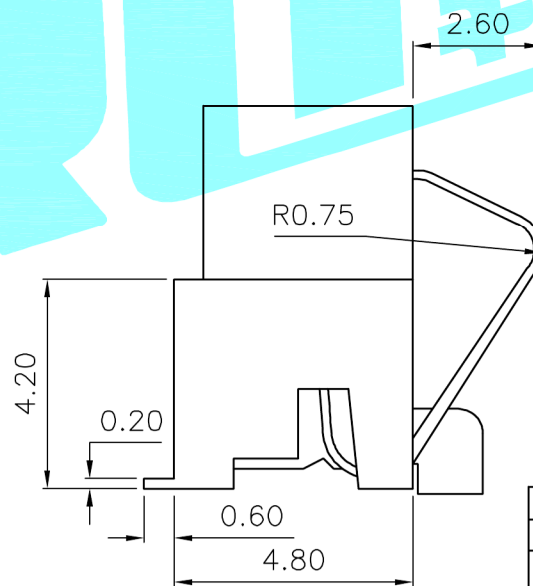
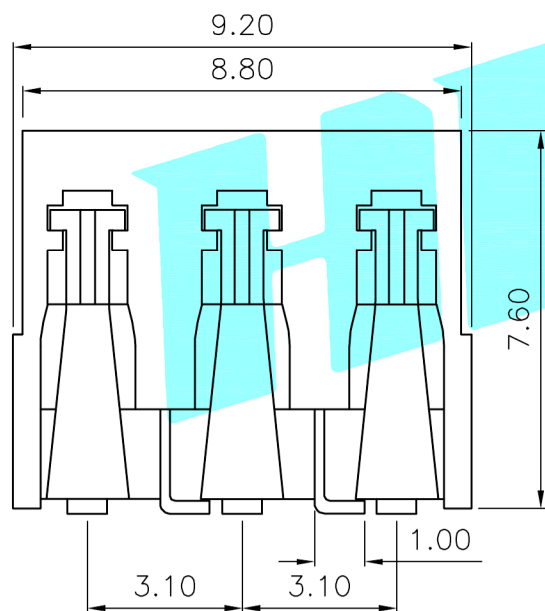


PCB Layout



SPECIFICATIONS:

- Voltage Rating: 250V AC Min
- Current Rating: 2.0A Min
- Dielectric Strength: 1000V AC For 1Minute
- Insulation Resistance: 1000Megohms Min
- Contact Resistance: 30Milliohms Max
- Operation Temperature: -55°C To + 125°C
- Product Withstanding Reflow Soldering: 260°C For 15s

- Durability :5000 Cycles
- Normal Force At Working Position: 80g Min
- Insertion Force:>3N
- Insulator: High Temperature Thermoplastic
UL 94V-0 Black (LCP Black)
- Contact: Beryllium Copper,
Gold Flash Over Nickel

②	Terminal	—	5	Phosphor Bronze	Au Plated	—
①	Housing	—	1	LCP	Black	—
ITEM	PART NAME	TER'NO.	QTY.	MATERIAL	FINISHING	REMARK

APPROVALS		DATE		 ELECTRONICS CO.,LTD				
DRAWN	xu qi feng	2014.12.04						
CHECKED				TITLE:	电池座 3P			
APPROVALS				PART NO.	BC-4-3P			
TOLERANCES ARE		30~以下	±0.30	ANGLE	UNIT: mm	SCALE: 1:1	PROJ:	
		10~30	±0.25					
		5~10	±0.20					
		~ 5	±0.15					
ECN NO.	REV.	DATE.	DESCRIPTION.	CHANGE.	CHECK.	APPRO.	DRAWING NO.	SHEET 1 OF 1

—	A	—	NEW	—	—	—
ECN NO.	REV.	DATE.	DESCRIPTION.	CHANGE.	CHECK.	APPRO.