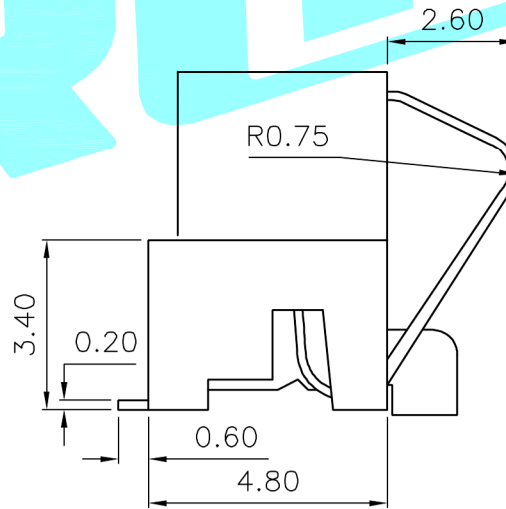
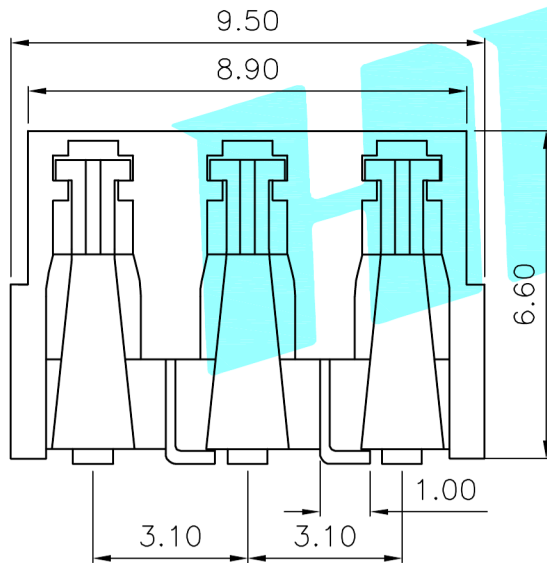


PCB Layout



**SPECIFICATIONS:**

Voltage Rating: 250V AC Min  
 Current Rating: 2.0A Min  
 Dielectric Strength: 1000V AC For 1Minute  
 Insulation Resistance: 1000Megohms Min  
 Contact Resistance: 30Milliohms Max  
 Operation Temperature: -55°C To +125°C  
 Product Withstanding Reflow Soldering:  
 260°C For 15s

Durability :5000 Cycles  
 Normal Force At Working Position: 80g Min  
 Insertion Force:>3N  
 Insulator: High Temperature Thermoplastic  
 UL 94V-0 Black (LCP Black)  
 Contact: Beryllium Copper,  
 Gold Flash Over Nickel

②	Terminal	—	5	Phosphor Bronze	Au Plated	—
①	Housing	—	1	LCP	Black	—
ITEM	PART NAME	TER'NO.	QTY.	MATERIAL	FINISHING	REMARK

APPROVALS		DATE		 ELECTRONICS CO.,LTD		
DRAWN	xu qi feng	2014.12.04				
CHECKED				TITLE: 电池座 3P		
APPROVALS				PART NO. BC-1-3P		
TOLERANCES ARE			30~以下: ±0.30	ANGLE	UNIT: mm	SCALE: 1:1
			10~30 ±0.25			
			5~10 ±0.20			
			~ 5 ±0.15			
				±2'	DRAWING NO.	SHEET 1 OF 1

—	A	—	NEW	—	—	—
ECN NO.	REV.	DATE.	DESCRIPTION.	CHANGE.	CHECK.	APPRO.