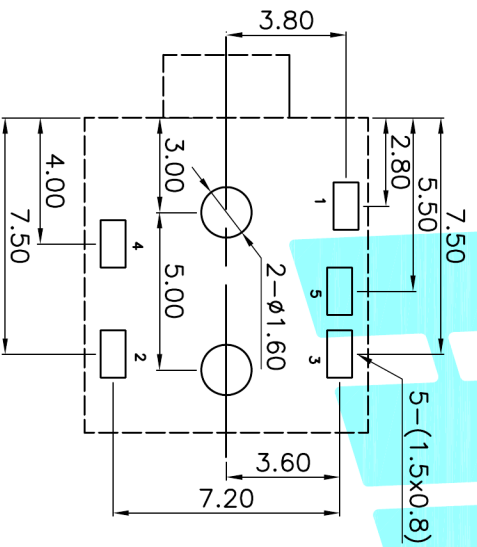


P.C.B Layout (copper-sided view)



Model NO	PJ-2050B-A	PJ-2050B-B
Schematic		
Model NO	PJ-2050B-C	PJ-2050B-D
Schematic		

Rating:0.5A 30V DC
 Contact Resistance:100 mΩ Max.
 Operating temperature:-20℃~70℃
 Operating force:3~20N
 Operating Life:5,000cycles

ECN NO.	REV.	DATE.	DESCRIPTION.	CHANGE.	CHECK.	APPRO.																																																																																					
	A		NEW																																																																																								
<table border="1"> <tr> <td>② Terminal</td> <td>5</td> <td>Phosphor bronze</td> <td>Au Plating</td> </tr> <tr> <td>① Housing</td> <td>1</td> <td>Nylon</td> <td>Black</td> </tr> <tr> <td>ITEM</td> <td>PART NAME</td> <td>TER.NO.</td> <td>QTY.</td> <td>MATERIAL</td> <td>FINISHING</td> <td>REMARK</td> </tr> <tr> <td colspan="7">APPROVALS</td> </tr> <tr> <td colspan="2">DRAWN</td> <td colspan="2">DATE</td> <td colspan="3">TITLE:</td> </tr> <tr> <td colspan="2">J.X.Zhang</td> <td colspan="2">2013/11/11</td> <td colspan="3">PHONE JACKETS</td> </tr> <tr> <td colspan="4">CHECKED</td> <td colspan="3">PART NO.</td> </tr> <tr> <td colspan="4">APPROVALS</td> <td colspan="3">PJ-2050B</td> </tr> <tr> <td colspan="7">ELECTRONICS CO.,LTD</td> </tr> <tr> <td colspan="7">SCALE: 1:1</td> </tr> <tr> <td colspan="7">DRAWING NO.</td> </tr> <tr> <td colspan="7">PROJ-</td> </tr> <tr> <td colspan="7">SHEET 1 OF 1</td> </tr> </table>							② Terminal	5	Phosphor bronze	Au Plating	① Housing	1	Nylon	Black	ITEM	PART NAME	TER.NO.	QTY.	MATERIAL	FINISHING	REMARK	APPROVALS							DRAWN		DATE		TITLE:			J.X.Zhang		2013/11/11		PHONE JACKETS			CHECKED				PART NO.			APPROVALS				PJ-2050B			ELECTRONICS CO.,LTD							SCALE: 1:1							DRAWING NO.							PROJ-							SHEET 1 OF 1						
② Terminal	5	Phosphor bronze	Au Plating																																																																																								
① Housing	1	Nylon	Black																																																																																								
ITEM	PART NAME	TER.NO.	QTY.	MATERIAL	FINISHING	REMARK																																																																																					
APPROVALS																																																																																											
DRAWN		DATE		TITLE:																																																																																							
J.X.Zhang		2013/11/11		PHONE JACKETS																																																																																							
CHECKED				PART NO.																																																																																							
APPROVALS				PJ-2050B																																																																																							
ELECTRONICS CO.,LTD																																																																																											
SCALE: 1:1																																																																																											
DRAWING NO.																																																																																											
PROJ-																																																																																											
SHEET 1 OF 1																																																																																											
TOLERANCES ARE 30~80IT ±0.30 ANGLE 10~30 ±0.20 UNIT: mm 5~10 ±0.15 ±2' ~5 ±0.10																																																																																											