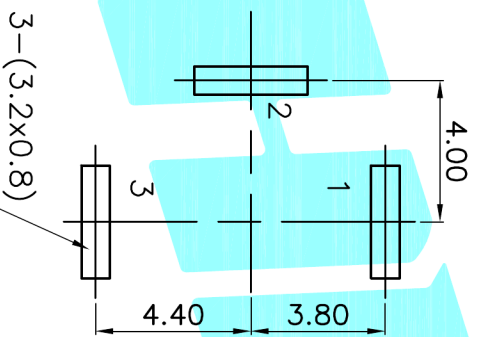


P.C.B LAYOUT(copper-sided view)



Model No.	DC-025	DC-025M
A	$\phi 8.0$	M8xP0.75

Model No.	DC-025M-A	DC-025M-B
Schematic		

Model No.	1	2	3
PIN	$\phi 2.0$	$\phi 2.35$	$\phi 2.5$

Rating:0.5A 30V DC  
 Contact Resistance:100 m $\Omega$  Max.  
 Operating temperature:-20 $^{\circ}$ C~70 $^{\circ}$ C  
 Operating force:3-20N  
 Operating Life:5,000cycles

ECN NO.	REV.	DATE.	DESCRIPTION.	CHANGE.	CHECK.	APPRO.
	A		NEW			

DRAWN	J.X.Zhang	DATE	2013/11/11	TITLE	PHONE JACKETS
CHECKED					
APPROVALS				PART NO.	DC-025
TOLERANCES ARE			30 $\pm$ 0.15	$\pm$ 0.30	ANGLE
			10 $\pm$ 0.10	$\pm$ 0.20	UNIT: mm
			5 $\pm$ 0.10	$\pm$ 0.15	SCALE: 1:1
			$\sim$ 5	$\pm$ 0.10	DRAWING NO.
					SHEET 1 OF 1



ELECTRONICS CO.,LTD