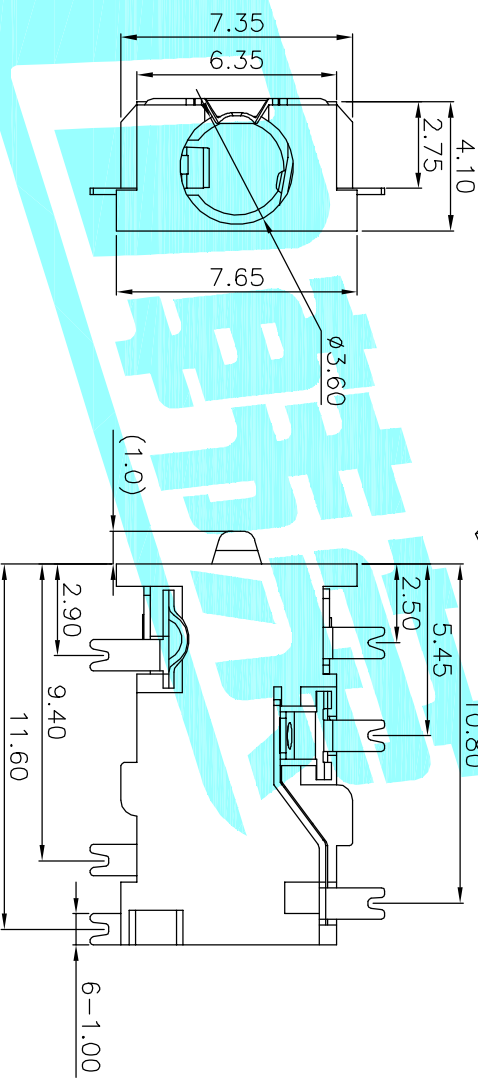
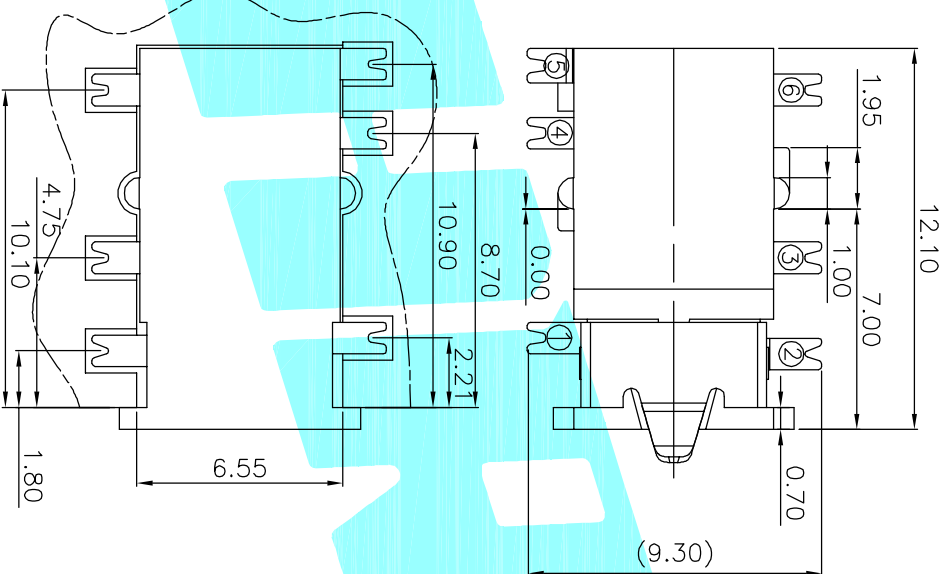
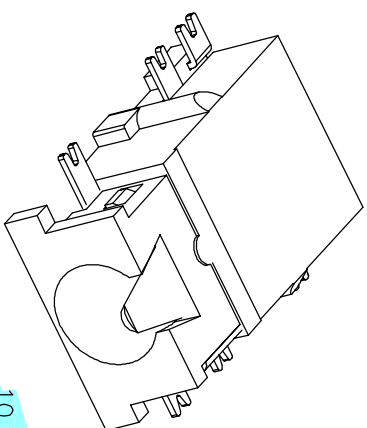


CIRCUIT DIAGRAM



Rating:0.5A 30V DC
 Contact Resistance:100 mΩ Max.
 Operating temperature:-20℃~70℃
 Operating force:3-20N
 Operating Life:5,000cycles

PCB Layout(Pattern side)

ECN NO.	REV.	DATE.	DESCRIPTION.	CHECK.	APPRO.																																											
	A		NEW																																													
<table border="1"> <tr> <td>② Terminal</td> <td>6</td> <td>Phosphor bronze</td> <td>Au Plating</td> </tr> <tr> <td>① Housing</td> <td>1</td> <td>Nylon</td> <td>Black</td> </tr> <tr> <td>ITEM</td> <td>PART NAME</td> <td>TER'NO.</td> <td>QTY.</td> <td>MATERIAL</td> <td>FINISHING</td> <td>REMARK</td> </tr> <tr> <td colspan="2">APPROVALS</td> <td>DATE</td> <td colspan="4"></td> </tr> <tr> <td>DRAWN</td> <td>JKUNLLU</td> <td>2013/11/11</td> <td colspan="4">TITLE: PHONE JACKES</td> </tr> <tr> <td colspan="2">CHECKED</td> <td></td> <td colspan="4">PART NO. PJ-399F</td> </tr> <tr> <td colspan="2">APPROVALS</td> <td></td> <td colspan="4">ELECTRONICS CO.,LTD</td> </tr> </table>						② Terminal	6	Phosphor bronze	Au Plating	① Housing	1	Nylon	Black	ITEM	PART NAME	TER'NO.	QTY.	MATERIAL	FINISHING	REMARK	APPROVALS		DATE					DRAWN	JKUNLLU	2013/11/11	TITLE: PHONE JACKES				CHECKED			PART NO. PJ-399F				APPROVALS			ELECTRONICS CO.,LTD			
② Terminal	6	Phosphor bronze	Au Plating																																													
① Housing	1	Nylon	Black																																													
ITEM	PART NAME	TER'NO.	QTY.	MATERIAL	FINISHING	REMARK																																										
APPROVALS		DATE																																														
DRAWN	JKUNLLU	2013/11/11	TITLE: PHONE JACKES																																													
CHECKED			PART NO. PJ-399F																																													
APPROVALS			ELECTRONICS CO.,LTD																																													
<table border="1"> <tr> <td>TOLERANCES ARE</td> <td>30~0.15</td> <td>±0.30</td> <td>ANGLE</td> <td>UNIT: mm</td> <td>SCALE: 1:1</td> <td>PROJ. 4</td> </tr> <tr> <td></td> <td>10~30</td> <td>±0.20</td> <td></td> <td></td> <td></td> <td></td> </tr> <tr> <td></td> <td>5~10</td> <td>±0.15</td> <td>±2'</td> <td></td> <td></td> <td></td> </tr> <tr> <td></td> <td>~ 5</td> <td>±0.10</td> <td></td> <td>DRAWING NO.</td> <td></td> <td>SHEET 1 OF 1</td> </tr> </table>						TOLERANCES ARE	30~0.15	±0.30	ANGLE	UNIT: mm	SCALE: 1:1	PROJ. 4		10~30	±0.20						5~10	±0.15	±2'					~ 5	±0.10		DRAWING NO.		SHEET 1 OF 1															
TOLERANCES ARE	30~0.15	±0.30	ANGLE	UNIT: mm	SCALE: 1:1	PROJ. 4																																										
	10~30	±0.20																																														
	5~10	±0.15	±2'																																													
	~ 5	±0.10		DRAWING NO.		SHEET 1 OF 1																																										