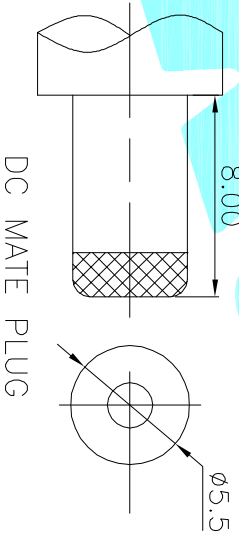
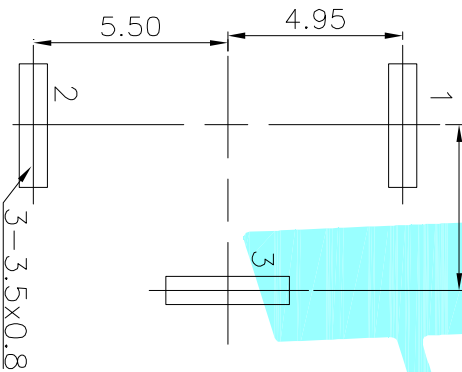
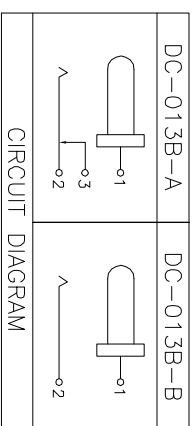


P.C.B LAYOUT(Copper-side view)



Model No.	1	2	3
PIN	$\phi 2.0$	$\phi 2.35$	$\phi 2.5$



Rating:0.5A 30V DC
 Contact Resistance:100 m Ω Max.
 Operating temperature:-20 $^{\circ}$ C~70 $^{\circ}$ C
 Operating force:3~20N
 Operating Life:5,000cycles

ECN NO.	REV.	DATE.	DESCRIPTION.	CHANGE.	CHECK.	APPRO.																																																																													
	A		NEW																																																																																
<table border="1"> <tr> <td>②</td> <td>Terminal</td> <td>—</td> <td>3</td> <td>Phosphor bronze</td> <td>Au Plating</td> <td></td> </tr> <tr> <td>①</td> <td>Housing</td> <td>—</td> <td>1</td> <td>Nylon</td> <td>Black</td> <td></td> </tr> <tr> <td>ITEM</td> <td>PART NAME</td> <td>TERN.O.</td> <td>QTY.</td> <td>MATERIAL</td> <td>FINISHING</td> <td>REMARK</td> </tr> <tr> <td colspan="4">APPROVALS</td> <td>DATE</td> <td colspan="2"></td> </tr> <tr> <td colspan="2">DRAWN</td> <td>J.X.Zhang</td> <td>2013/11/11</td> <td colspan="3">ELECTRONICS CO.,LTD</td> </tr> <tr> <td colspan="2">CHECKED</td> <td></td> <td></td> <td colspan="3">DC JACKES</td> </tr> <tr> <td colspan="2">APPROVALS</td> <td></td> <td></td> <td colspan="3">PART NO. DC-013B</td> </tr> <tr> <td colspan="2">TOLERANCES ARE</td> <td>30~12.5 ±0.30</td> <td>ANGLE</td> <td colspan="3">SCALE: 1:1</td> </tr> <tr> <td colspan="2"></td> <td>10~30 ±0.20</td> <td>UNIT: mm</td> <td colspan="3">PROJ: </td> </tr> <tr> <td colspan="2"></td> <td>5~10 ±0.15</td> <td>DRAWING NO.</td> <td colspan="3">SHEET 1 OF 1</td> </tr> <tr> <td colspan="2"></td> <td>~5 ±0.10</td> <td></td> <td colspan="3"></td> </tr> </table>							②	Terminal	—	3	Phosphor bronze	Au Plating		①	Housing	—	1	Nylon	Black		ITEM	PART NAME	TERN.O.	QTY.	MATERIAL	FINISHING	REMARK	APPROVALS				DATE			DRAWN		J.X.Zhang	2013/11/11	ELECTRONICS CO.,LTD			CHECKED				DC JACKES			APPROVALS				PART NO. DC-013B			TOLERANCES ARE		30~12.5 ±0.30	ANGLE	SCALE: 1:1					10~30 ±0.20	UNIT: mm	PROJ:					5~10 ±0.15	DRAWING NO.	SHEET 1 OF 1					~5 ±0.10				
②	Terminal	—	3	Phosphor bronze	Au Plating																																																																														
①	Housing	—	1	Nylon	Black																																																																														
ITEM	PART NAME	TERN.O.	QTY.	MATERIAL	FINISHING	REMARK																																																																													
APPROVALS				DATE																																																																															
DRAWN		J.X.Zhang	2013/11/11	ELECTRONICS CO.,LTD																																																																															
CHECKED				DC JACKES																																																																															
APPROVALS				PART NO. DC-013B																																																																															
TOLERANCES ARE		30~12.5 ±0.30	ANGLE	SCALE: 1:1																																																																															
		10~30 ±0.20	UNIT: mm	PROJ:																																																																															
		5~10 ±0.15	DRAWING NO.	SHEET 1 OF 1																																																																															
		~5 ±0.10																																																																																	