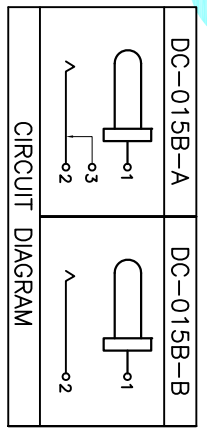
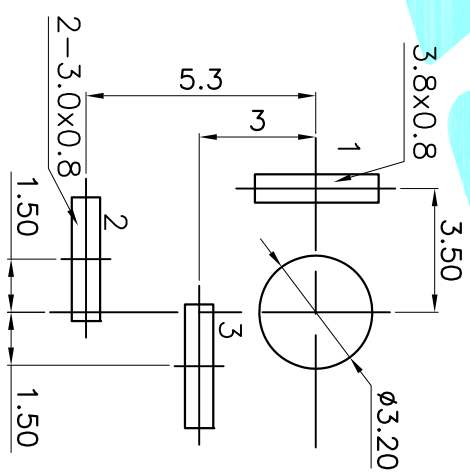
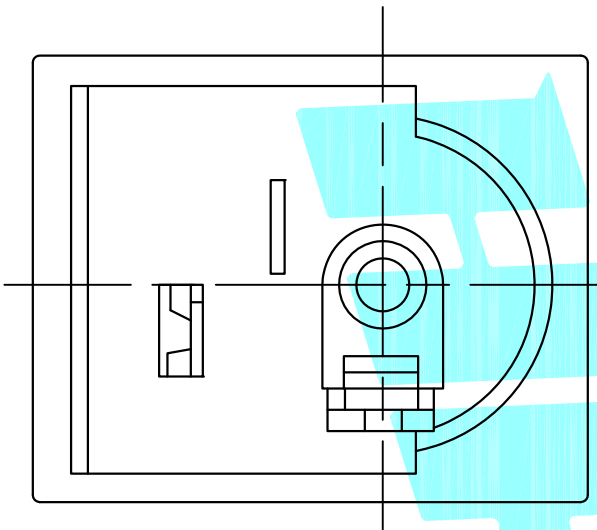


P.C.B LAYOUT (Copper-side view)



Rating: 0.5A 30V DC
 Contact Resistance: 100 mΩ Max.
 Operating temperature: -20℃~70℃
 Operating force: 3-20N
 Operating Life: 5,000 cycles

ECN NO.	REV.	DATE.	DESCRIPTION.	CHANGE.	CHECK.	APPRO.																																																																													
	A		NEW																																																																																
<table border="1"> <tr> <td>①</td> <td>Terminal</td> <td>3</td> <td>Phosphor bronze</td> <td>Au Plating</td> <td></td> <td></td> </tr> <tr> <td>②</td> <td>Housing</td> <td>1</td> <td>Nylon</td> <td>Black</td> <td></td> <td></td> </tr> <tr> <td>ITEM</td> <td>PART NAME</td> <td>TER'NO.</td> <td>QTY.</td> <td>MATERIAL</td> <td>FINISHING</td> <td>REMARK</td> </tr> <tr> <td colspan="4">APPROVALS</td> <td>DATE</td> <td colspan="2"></td> </tr> <tr> <td colspan="2">DRAWN</td> <td>J.X.Zhang</td> <td colspan="2">2013/11/11</td> <td colspan="2"></td> </tr> <tr> <td colspan="2">CHECKED</td> <td colspan="2"></td> <td colspan="3">TITLE: PHONE JACKES</td> </tr> <tr> <td colspan="2">APPROVALS</td> <td colspan="2"></td> <td colspan="3">PART NO. DC-015B</td> </tr> <tr> <td colspan="2">TOLERANCES ARE</td> <td>30~0.1±</td> <td>±0.30</td> <td>ANGLE</td> <td colspan="2"></td> </tr> <tr> <td colspan="2"></td> <td>10~0.30</td> <td>±0.20</td> <td>UNIT: mm</td> <td>SCALE: 1:1</td> <td>PROJ. </td> </tr> <tr> <td colspan="2"></td> <td>5~0.10</td> <td>±0.15</td> <td>DRAWING NO.</td> <td colspan="2">SHEET 1 OF 1</td> </tr> <tr> <td colspan="2"></td> <td>~ 5</td> <td>±0.10</td> <td colspan="3"></td> </tr> </table>							①	Terminal	3	Phosphor bronze	Au Plating			②	Housing	1	Nylon	Black			ITEM	PART NAME	TER'NO.	QTY.	MATERIAL	FINISHING	REMARK	APPROVALS				DATE			DRAWN		J.X.Zhang	2013/11/11				CHECKED				TITLE: PHONE JACKES			APPROVALS				PART NO. DC-015B			TOLERANCES ARE		30~0.1±	±0.30	ANGLE					10~0.30	±0.20	UNIT: mm	SCALE: 1:1	PROJ.			5~0.10	±0.15	DRAWING NO.	SHEET 1 OF 1				~ 5	±0.10			
①	Terminal	3	Phosphor bronze	Au Plating																																																																															
②	Housing	1	Nylon	Black																																																																															
ITEM	PART NAME	TER'NO.	QTY.	MATERIAL	FINISHING	REMARK																																																																													
APPROVALS				DATE																																																																															
DRAWN		J.X.Zhang	2013/11/11																																																																																
CHECKED				TITLE: PHONE JACKES																																																																															
APPROVALS				PART NO. DC-015B																																																																															
TOLERANCES ARE		30~0.1±	±0.30	ANGLE																																																																															
		10~0.30	±0.20	UNIT: mm	SCALE: 1:1	PROJ.																																																																													
		5~0.10	±0.15	DRAWING NO.	SHEET 1 OF 1																																																																														
		~ 5	±0.10																																																																																
<p style="text-align: center;">HRON ELECTRONICS CO.,LTD</p>																																																																																			