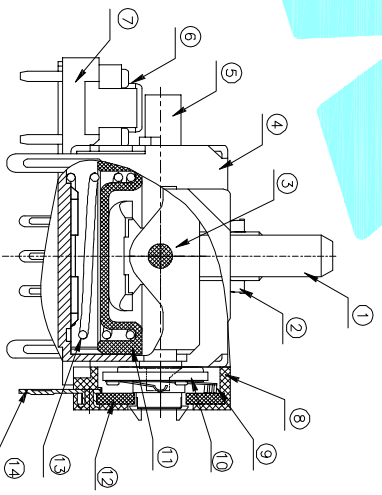
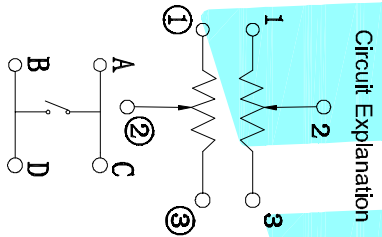
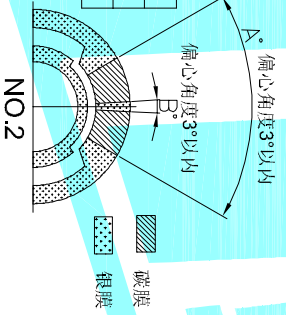


NO.1	
RESISTANCE	ANGLE
10±20%	A 38°
50±20%	B 0°
100±20%	4°
120±20%	6°
	8°
	50°
	60°

NO.2	
ANGLE	偏心角度3°以内
A 38°	偏心角度3°以内
B 0°	偏心角度3°以内
4°	偏心角度3°以内
6°	偏心角度3°以内
8°	偏心角度3°以内
50°	偏心角度3°以内
60°	偏心角度3°以内



Scale 1:1

NO.3	
S	W
HAVE SWITCH	NO SWITCH

NO.4	
PART NO.	VIGOR
A	160±40gf
B	220±40gf
C	250±40gf

NO.5	
PART NO.	NOTE
01~99	SERIAL NUMBER

ITEM	PART NAME	Serial number	QTY.	MATERIAL	FINISHING	REMARK
14	端子		6	SPCC	Plating Sn	
13	弹簧		1	SUS		
12	电阻片		2			
11	滑动座		1	PLASTIC		
10	胶座		2	PLASTIC		
9	刷子		2			
8	电阻片本体		2	PLASTIC		
7	底座		1	PBT		
6	开关		1	6*6*5		
5	下摇臂		1	ALLOY	Plating Ni	
4	外壳		1	SPT		
3	铆钉		1	FE	Plating Ni	
2	上摇臂		1	PLASTIC		
1	轴心		1	PLASTIC		

APPROVALS		DATE	
DRAWN	QI/FENG.XU	2014.11.28	
CHECKED			
APPROVALS			

TOLERANCES ARE		ANGLE		UNIT: mm		SCALE: 1:1	
30±0.15	±0.30	±2°					
10~30	±0.20						
5~10	±0.15						
~5	±0.10						

ECN NO.	REV.	DATE.	DESCRIPTION.	CHANGE.	CHECK.	APPRO.
	A		NEW			

ROHM
ELECTRONICS CO., LTD
POTENTIOMETER