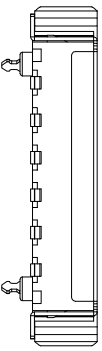
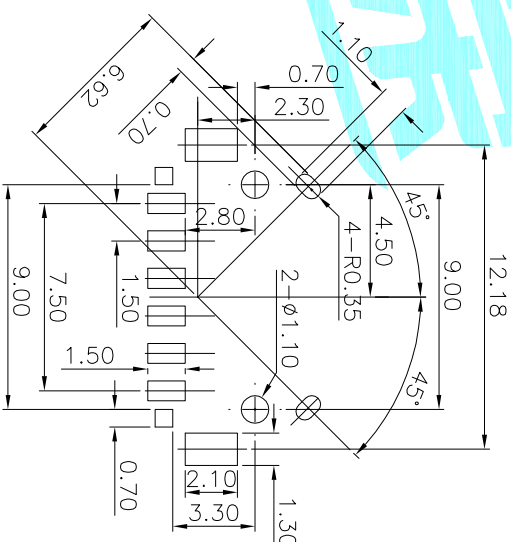
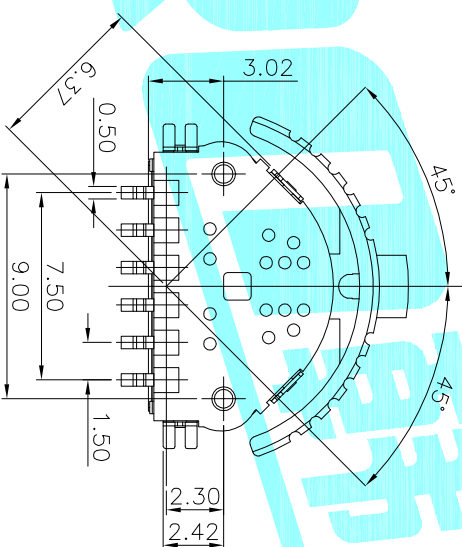
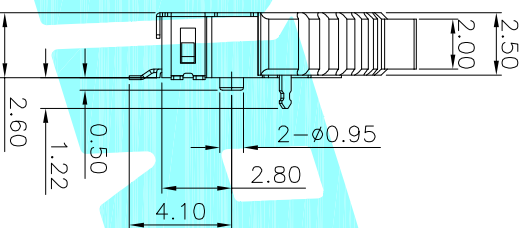
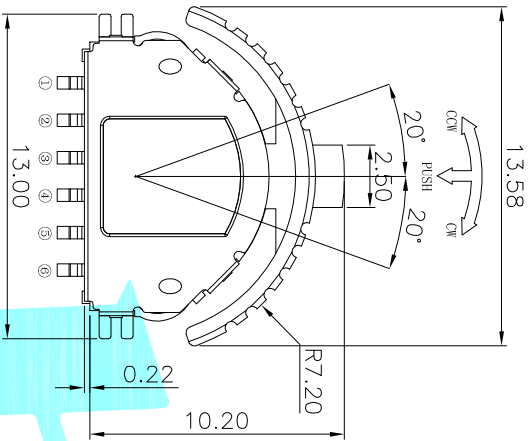


①	②	③	④	⑤	⑥
CCW	○	○	○	○	○
PUSH	○	○	○	○	○
CW	○	○	○	○	○



NOTE:
 1. Rating: DC12V 0.1A
 2. Operating Force:
 lever portion 80±50gf
 Push portion 250±50gf
 3. Mechanical Life: 10,000

ITEM	PART NAME	TER'NO.	QTY.	MATERIAL	FINISHING	REMARK
⑥	Contact	—	1	Brass	Plating silver	—
⑤	Terminal	—	6	Brass(0.15t)	Plating silver	—
④	Base	—	1	PA46	Black	—
③	Keystroke	—	1	PA46	Black	—
②	Spring	—	2	SUS	Natural	—
①	Cover	—	1	SUS	Natural	—

APPROVALS	DATE
DRAWN J.X.Zhang	2013/8/20

CHECKED		TITLE:	
APPROVALS		MULTIFUNCTIONAL SWITCHS	
TOLERANCES ARE		PART NO.	K1-1503SA-03
30~0.1±	±0.30	SCALE:	1:1
10~0.30	±0.20	UNIT:	mm
5~0.10	±0.15	DRAWING NO.	—
~5	±0.10	PROJ:	—
		SHEET	1 OF 1

ECN NO.	REV.	DATE.	DESCRIPTION.	CHANGE.	CHECK.	APPRO.
	A		NEW			

HROE
 ELECTRONICS CO.,LTD